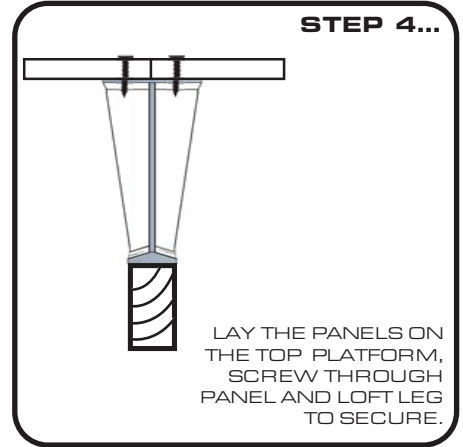
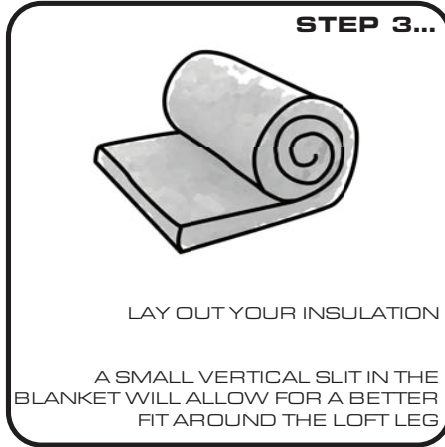
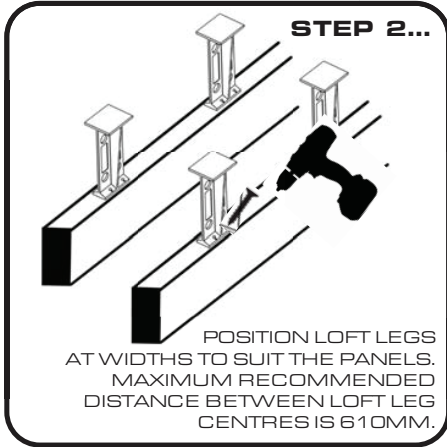
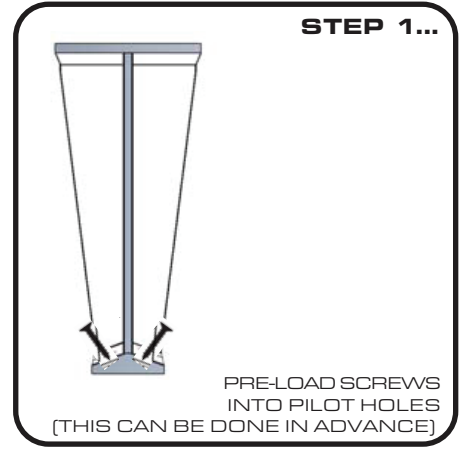
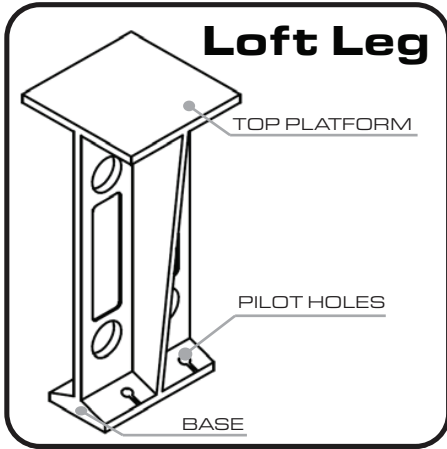




WARM HOME : USEFUL LOFT



Hello, my name is Lofty and I am here to help you install your Loft Legs. Below are four simple steps for you to follow, however should you need any more help, feel free to email: asklofty@loftleg.com, alternatively you can watch my short installation film at: www.loftleg.com, simply click 'fitting Instructions' or scan the QR code below:



IMPORTANT:
LOFT LEGS RAISE THE HEIGHT OF A STORAGE DECK TO PREVENT COMPRESSION OF INSULATION.
THIS DECK SHOULD BE USED FOR LOFT STORAGE ONLY. LOADING LIMIT OF EXISTING CEILING STRUCTURE SHOULD BE CONFIRMED BY A STRUCTURAL ENGINEER.
THIS PRODUCT IS DESIGNED FOR DOMESTIC USE ONLY.
DO NOT USE IN DAMP CONDITIONS.
SAFETY INSTRUCTIONS: ENSURE ADEQUATE VENTILATION. USE OF MASKS AND GLOVES RECOMMENDED.



twitter

facebook

Email: asklofty@loftleg.com Web: www.loftleg.com

SCAN ME FOR
INSTALLATION
MOVIE



DETACH HERE AND STAPLE TO THE STORAGE DECK

WARNING
THIS IS A RAISED STORAGE PLATFORM
DO NOT OVERLOAD

Caution: Max weight loading 50kg per square metre. Ceiling joists or trusses are normally designed for light domestic storage. It is the fitters responsibility to ensure that the existing ceiling structure and the new timber storage deck are capable of taking the necessary loads.

When installing insulation follow recommendations from the insulation manufacturer.

Manufactured in the UK by Loft Leg Ltd. | Email: info@loftleg.com | Website: www.loftleg.com