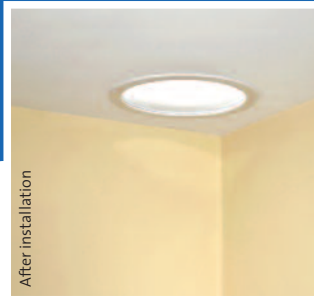


# Loft Shop flat and pitched roof tubular skylights



**Loft Shop Tubular Skylights effectively transmit natural daylight to internal rooms or areas that do not receive adequate daylight.**

Natural daylight is captured at roof level and directed downwards through the rigid or flexible tubes and then diffused at ceiling level.

## Key features

- An innovative and effective means of transmitting natural daylight to poorly lit areas
- Carbon neutral
- Up to 20 times more light than a 100w bulb
- Improves physical, mental and emotional well being
- Cost effective
- Minimal disturbance to roof and ceiling construction
- Normally installed within half a day
- Available in 'Rigid' and 'Flexible' tube systems
- Suitable for most roof types
- Comprehensive range of sizes and accessories available from stock
- Square low profile UV protected polycarbonate dome
- Trickle ventilation option
- 98% reflectivity on Rigid Tube System

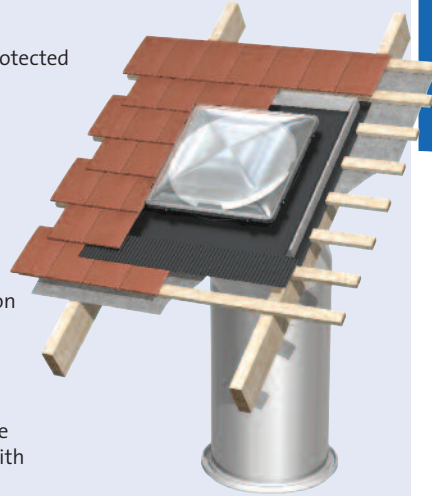
## Rigid Tube System

**Provides up to 1.0m overall length (0.7m for flat roof kit)**

**Extension sections available**

**Kit includes:**

- ♦ Square low profile UV protected polycarbonate dome
- ♦ Roof flashing panel
- ♦ Upper rigid tube section with bayonet connector
- ♦ Adjustable (0-45°) angle adaptor (not included in flat roof kit)
- ♦ Straight rigid tube section
- ♦ Lower rigid tube section
- ♦ Lower tube ceiling mounting ring
- ♦ Easy-fit magnetic, double glazed ceiling diffuser with ventilation facility
- ♦ Installation fixings pack
- ♦ Comprehensive fitting instructions

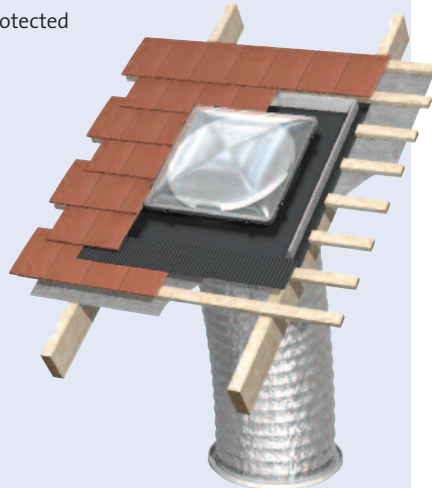


## Flexible Tube System

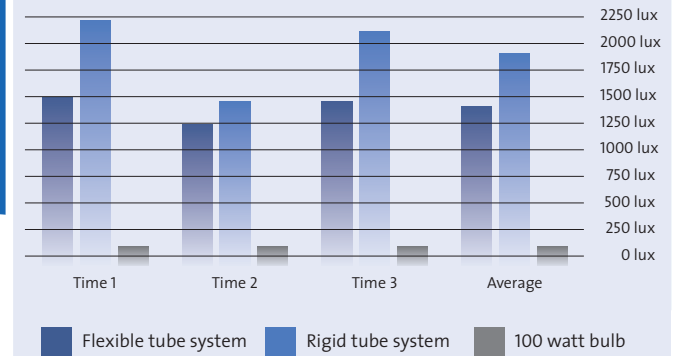
**Provides up to 3.0m overall length**

**Kit includes:**

- ♦ Square low profile UV protected polycarbonate dome
- ♦ Roof flashing panel
- ♦ Flexible tube with bayonet connector
- ♦ Lower tube ceiling mounting ring
- ♦ Easy-fit magnetic, double glazed ceiling diffuser with ventilation facility
- ♦ Installation fixings pack
- ♦ Comprehensive fitting instructions

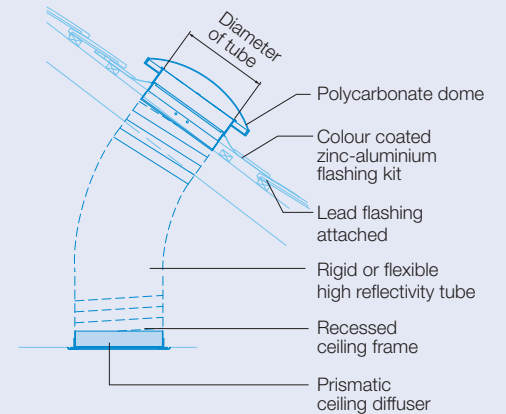


## Maximum light output levels



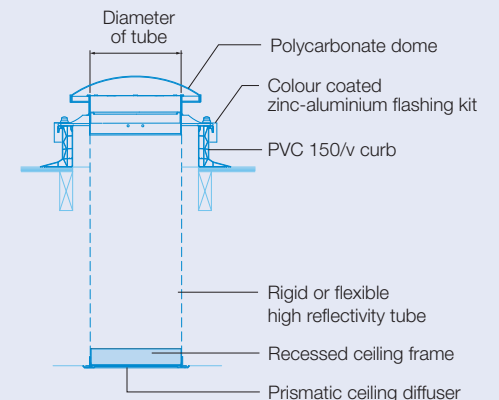
## Pitched roof kit

**Tile Flashing Kits are available to suit plain/profiled tiles or slates.**



## Flat roof kit

**Use Flat Roof Flashing Kits for installing to a PVCu curb or builder's upstand.**



# Order checklist

## Which type? Rigid or flexible tube

**Rigid tube system** Offers 98% reflection on inner surface. Up to 20 times more light (2200 lux) than a 100w bulb (105 lux). Suitable for longer tube lengths.

**Flexible tube system** Provides up to 14 times more light (1500 lux) than a 100w bulb (105 lux). Suitable for shorter tube length. Easier to install.

## Which roof type? Flat or pitched

**Pitched roof kit**

- ◆ 'Slate Roof' kit – for 8-16mm tile thickness
- ◆ 'Tile Roof' kit – for 14-32mm tile thickness

**Flat roof kit**

- ◆ Proprietary insulated PVCu curb – recommended option
- ◆ To fit to builder's upstand curb

## Which size? 350, 450 or 550mm

Nominal size ø	Space needed between joists/rafters	Features
350	345mm	Suitable for very small rooms – up to 2m x 2m for Flexible Tube System and 3m x 3m for Rigid Tube System. Fits between most conventional rafters/ joists – eliminating need for trimming work.
450	460mm	Suitable for rooms up to 3.5m x 3.5m for Flexible Tube System and 4.5m x 4.5m for Rigid Tube System.
550	540mm	Suitable for rooms up to 5m x 5m for Flexible Tube System and 6m x 6m for Rigid Tube System.

**For larger areas, use multiple units of optimum permutation. Transmitted light varies due to position on roof and adjacent trees or buildings.**

## Overall lengths Each standard kit accommodates

**Rigid tube system** Up to 1.0m (0.7m for flat roof kits)

**Flexible tube system** Up to 3.0m.

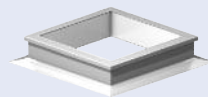
## Extension pieces

625mm + 1250mm extension pieces are available in rigid tube – these are suitable for extending the Flexible and Rigid Tube Systems. Flexible extension tubing is also available. Please consult our Sales Office for advice on optimum permutations and application of 'Em-Tubes'.

## Accessories

### Upstand for flat roof applications

- ◆ Economical and effective alternative to builder's upstand curb
- ◆ Compatible with most flat roof finishes
- ◆ Extruded PVCu
- ◆ 150mm high



### Fire collar

- ◆ Mounted above ceiling diffuser
- ◆ Protects against fire spread
- ◆ Certified up to four hours' fire protection



### Light kit

- ◆ Provides 24hrs single light source – no need for separate light fitting
- ◆ 240V 60watt
- ◆ Specially designed for tubular skylights
- ◆ Cost effective



### Security collar

- ◆ Intruder resistant grid



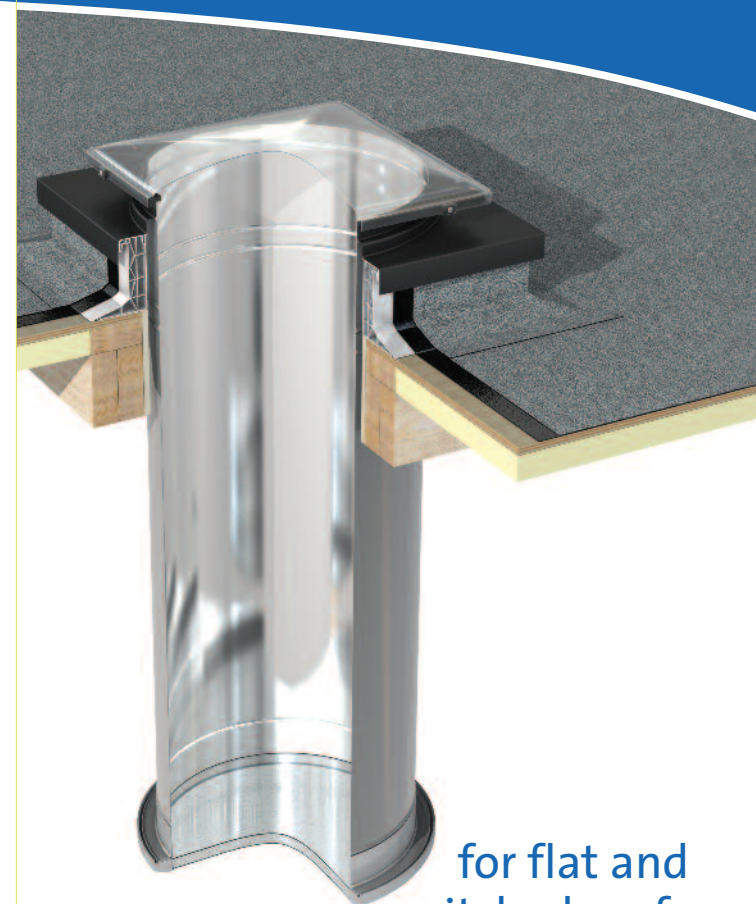
**Applications and limitations on use** For maximum daylight output the tubular skylight should be located on a south facing roof slope and/or as high as possible, out of any shadow of tall trees and buildings. It should also be installed to give the most direct run from roof to ceiling level. No specific level of light transmission can be guaranteed because specific applications and external light conditions are beyond our control. Because of factors outside our control which can affect installations and use of products, no warranty is given or implied in respect of information provided. A policy of continuous product improvement applies and Loft Shop therefore reserve the right to alter specifications without prior notice.

**Guarantee** The tubular skylight dome and flashing kit, when installed in accordance with the manufacturer's instructions, are guaranteed against the effect of defective design, materials or construction for a period of 10 years from date of supply by Loft Shop.

**Technical services** Full technical literature is available on request. Advice and technical assistance is always available from Loft Shop on the application and specification of tubular skylights and associated accessories.

# Tubular Skylights

Brochure 2012



for flat and pitched roofs



**Website** [www.loftshop.co.uk](http://www.loftshop.co.uk)  
**Email** [enquiries@loftshop.co.uk](mailto:enquiries@loftshop.co.uk)  
**Telephone** 020 8551 5800

